

BRUSHLESS MOTOR

SERIE G30



BG30/2203

PRODUCT

Code	Product Description	Pcs/ Pallet
BG30/2203	Electromechanical BRUSHLESS motor, low voltage, intensive use, with native encoder onboard, irreversible ideal for sliding gates up to 2200 Kg. with built in digital controller B70 series, mechanical limit switch.	40
BG30/2203/115	Version BG30/2203 with power supply 115V AC, mechanical limit switch ideal for sliding gates up to 2200 kg.	40

ACCESSORIES

KT222	Raised fixing plate for G30 series
KT221	Raised fixing plate for H30 series
GA550	Galvanised steel rack 30x12x1000 module 4 with spacers and screws
GA551	Galvanised steel rack 30x12x1000 module 4 with spacers and screws
GA553	Nylon rack module 4 with 6 connectors L.1000
GA554	Pocket of 6 spacers and screws
R99/C/001	Signboard "Automatic Opening"

TECHNICAL FEATURES

Power Supply	230V AC - 115V AC 50/60Hz +/-10%
Brushless motor power supply	36V
Motor power	470W
Frequency of use	Intensive use
Motor type	Irreversible
Operating temperature	-20 +55°C
Protection level	IP43
Manoeuvre speed	9,5 m/min
Max thrust	50 - 1700 N
Max gate weight	Max 2200 kg
Encoder	Digital encoder onboard + Magnetic Encoder Sensored Technology
Limit switch	Mechanical limit switch
Onboard control unit	B70/1DCHP
Cycles per day (opening/closing 24h no stop)	1000
Batteries Recovery	Optional 2 external battery 12V DC - 4,5AH

STANDARD ACCESSORIES

Always included in the individual product package or kit



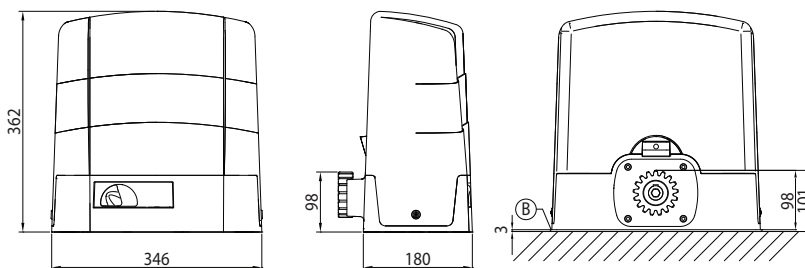
KT215

Fixing plate with stay bolts and screws G30 series - Pcs.1

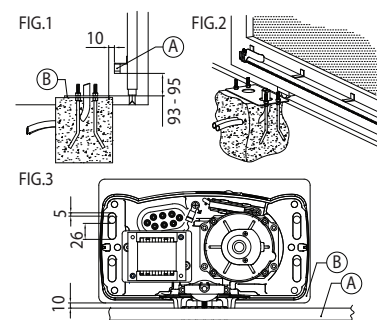
MC773

Kit mechanical limit witch for control unit H70/103AC, H70/104AC, B70/1DC and B70/1DCHP - Pcs.1

Dimensions



Predisposition for standard installations



A = Rack

B = Fastening plate