

# Ditec Facil

Simple and versatile, for swing gates with doors up to 2.3 metres  
For heavy duty

Ditec Facil has been designed to be simple to install and easy to connect, being able use many various types of motor it is highly practical.

The ABS guard ensures good resistance against the weather and boasts high quality and elegant finishes, simple and clean lines, and can blend perfectly to any type of entrance.

## No problem in case of power failure

The key operated, easily accessible release door is built into the front of the cast aluminium casing **01**.

The Deb 04 device, which is easily operated with a cord, allows the automation to be remotely controlled without opening the door.

## Carefully designed with safety in mind

The shape of the articulated arm and its connection to the casing **02** have been designed to avoid any shearing problems.

Ditec Facil is fitted with built in and adjustable open-close mechanical stops.

A limit switch unit can be installed to supply visual indicators or to stop the wing.

## Ready and simple to install

Ditec Facil features a built-in electronic panel which can easily be removed, leading to obvious advantages during the installation stage as well as when performing any maintenance on the automation.

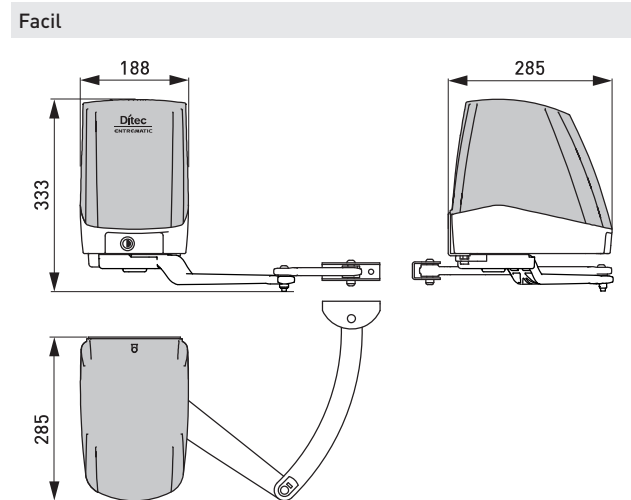
After removing the guard, the see-through control panel enclosure can be taken out to reveal the controls.

## Accessories

- Key operated handle with 5 m remote release cord
- Limit switch unit
- Internal and external battery for VIVA H control panel
- Straight arm



## Dimensions



# Ditec Arc

Easy to install and versatile, for swing gates with doors up to 5 metres  
For heavy duty

## Versatile

Ditec Arc has been designed for easy installation, either right or left, and can even move very large wings with a 24 V DC power supply, ensuring high safety operation.

## Ensures long-lasting operational reliability

Ditec Arc key release system is easy to access. In case of power failure, the 24 V DC version ensures some emergency automatic operations, taking the necessary power supply from the battery (optional).

The ABS casing offers a greater resistance to atmospheric agents.

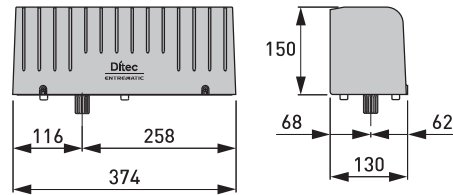
## Accessories

- Key operated handle with 5 m remote release cord
- Limit switch unit
- Internal and external battery for VIVA H control panel
- Gear motor side fastening plate
- Adjustable stop

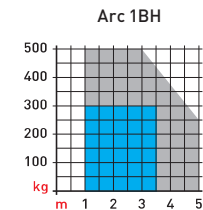
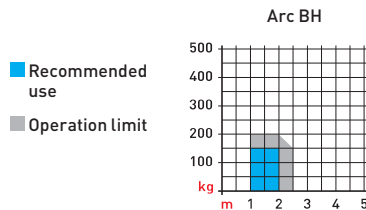
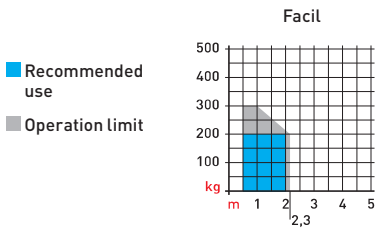


## Dimensions

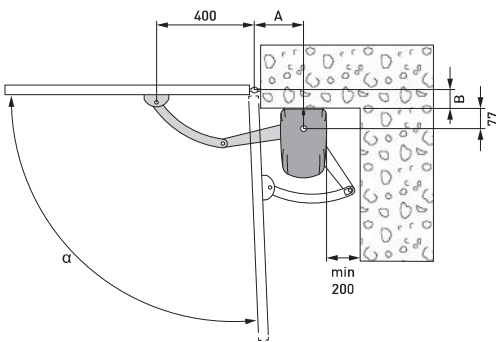
### Arc



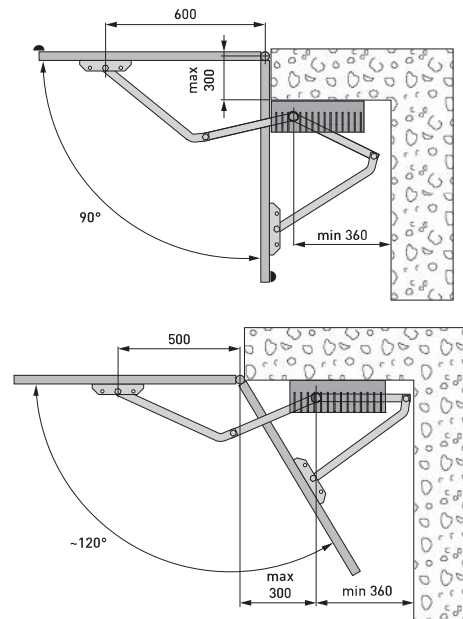
## Operation diagrams and charts



### Facil



### Arc

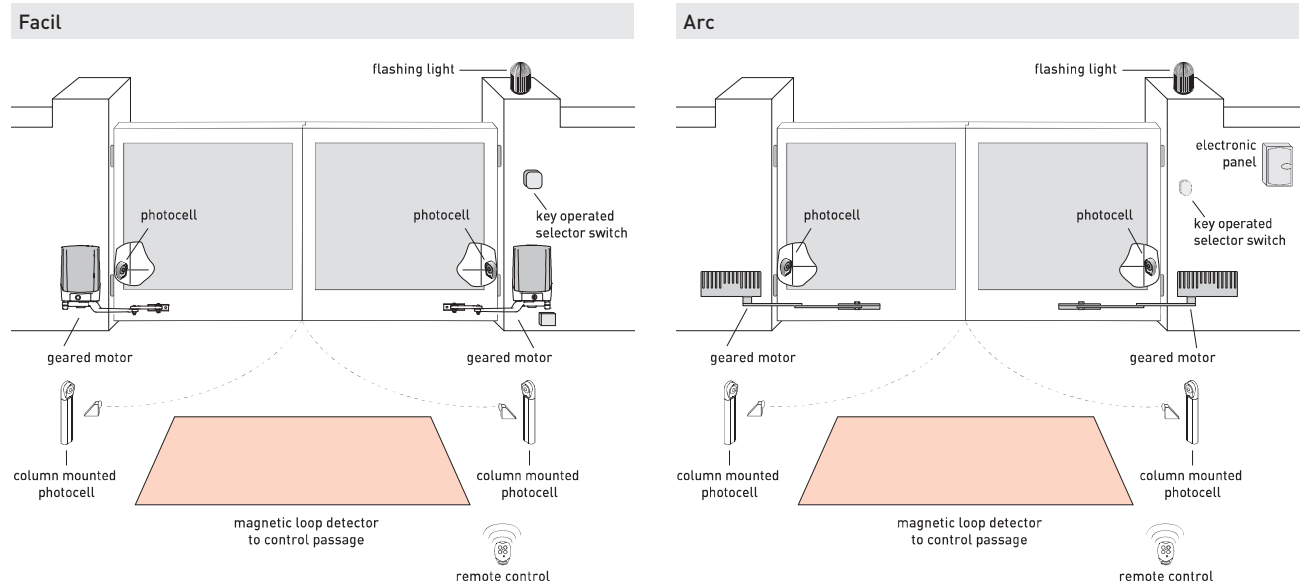


		A (mm)								
		120	130	140	150	160	170	180	190	200
B (mm)	0	90°	90°	95°	95°	100°	100°	105°	105°	110°
	50	90°	90°	95°	95°	95°	95°	95°	95°	95°
	100	90°	90°	90°	90°	90°	90°	90°	90°	/
	150	90°	90°	90°	90°	90°	90°	90°	/	/
	200	90°	90°	90°	90°	90°	/	/	/	/

# Ditec Facil, Ditec Arc

## Example installations and technical specifications

### Example installations



### Technical specifications

Description	Facil 3H	Facil 3EH	Arc BH	Arc 1BH
Electromechanical actuator	irreversible for up to 2.3 m wide wing	irreversible for up to 2.3 m wide wing	irreversible for up to 2.5 m wide wing	irreversible for up to 5 m wide wing
Stroke control	rotary limit switch (optional)	rotary limit switch (optional)	rotary limit switch (optional)	rotary limit switch (optional)
Maximum capacity	200 kg x 2.3 m 300 kg x 1 m	200 kg x 2.3 m 300 kg x 1 m	200 kg x 2 m 150 kg x 2.5 m	500 kg x 3 m 250 kg x 5 m
Duty class	3 - heavy duty	3 - heavy duty	4 - heavy duty	4 - heavy duty
Intermittent operation	S2 = 30 min S3 = 50%	S2 = 30 min S3 = 50%	S2 = 30 min S3 = 50%	S2 = 30 min S3 = 50%
Power supply	24 V DC	24 V DC	24 V DC	24 V DC
Power input	6 A	6 A	3 A	12 A
Torque	200 Nm	200 Nm	150 Nm	300 Nm
Opening time	12÷32 s/90°	12÷32 s/90°	15÷18 s/90°	15÷30 s/90°
Actuator maximum opening	110°	110°	130°	130°
Release system for manual opening	key operated	key operated	key operated	key operated
Operating temperature	-20°C / +55°C [-35°C / +55°C with NIO enabled]	-20°C / +55°C [-35°C / +55°C with NIO enabled]	-20°C / +55°C [-35°C / +55°C with NIO enabled]	-20°C / +55°C [-35°C / +55°C with NIO enabled]
Protection rating	IP 54	IP 54	IP 54	IP 54
Product dimensions (mm)	188x285x332	188x285x332	374x130x150	374x130x150
Control panel	E2HFC (with FACIL3EH) VIVA H	E2HFC (built-in)	E2HAR VIVA H	VIVA H