

LA500

RESIDENTIAL / LIGHT
COMMERCIAL DC SWING
GATE OPERATOR

ELITE SERIES®

LA500

RESIDENTIAL / LIGHT
COMMERCIAL DC SWING
GATE OPERATOR



Follow us on Facebook, Twitter and YouTube!



©2012 LMGTBRLA50 12/12
The Chamberlain Group, Inc.
Printed in U.S.A.

LiftMaster®

Features/Benefits



Battery Backup

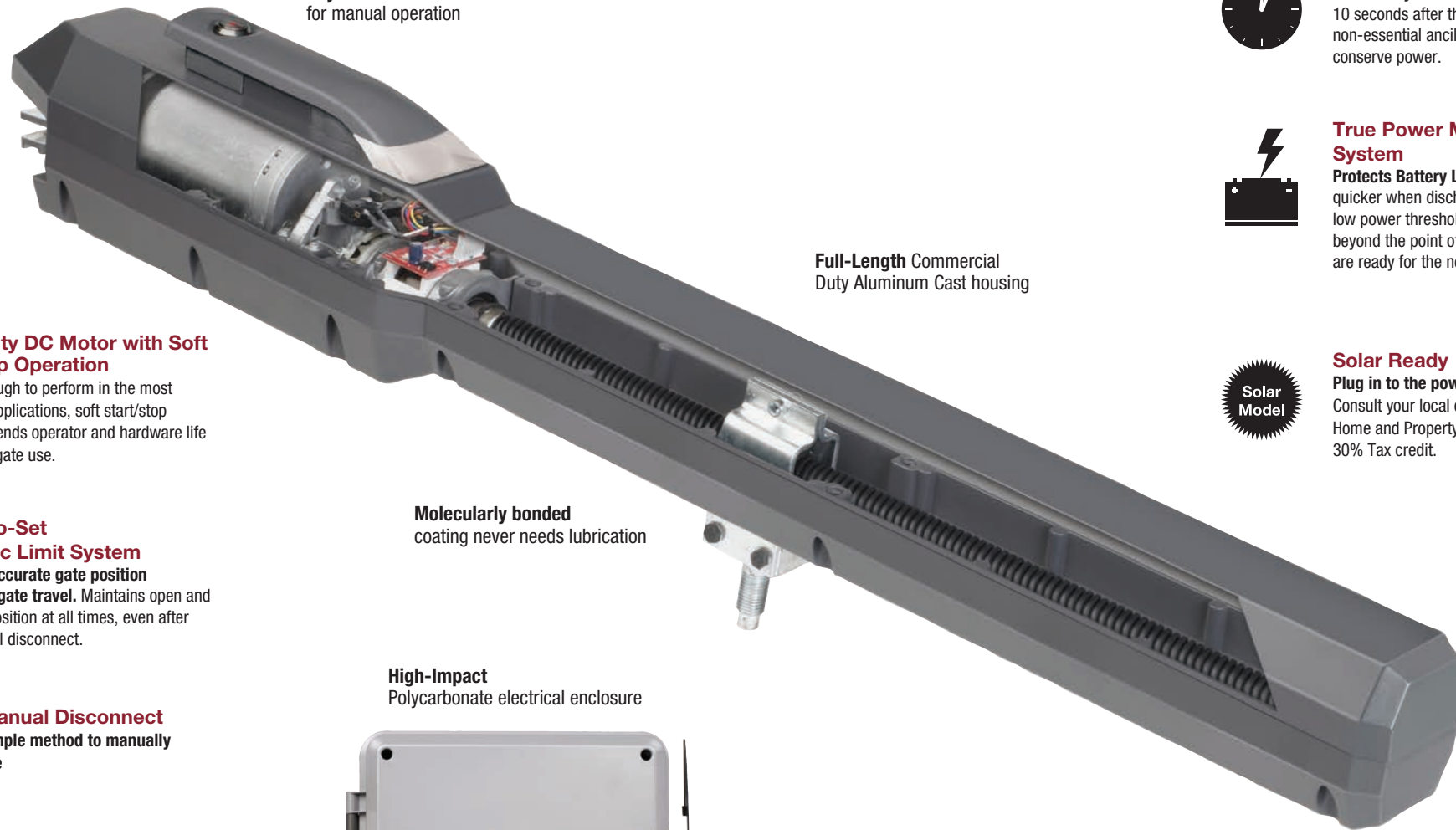
Works when the power is out.
Provides up to 500 cycles on battery backup.
Powers safety devices and ancillary devices.



Security+ 2.0™ Technology

Double the range of standard transmitters.
Multi frequency radio virtually eliminates interference. Receiver holds up to 50 remotes.
Homelink® compatible version 4 and higher.

Key release
for manual operation



Full-Length Commercial
Duty Aluminum Cast housing

Heavy Duty DC Motor with Soft Start/Stop Operation

Powerful enough to perform in the most demanding applications, soft start/stop operation extends operator and hardware life under heavy gate use.

Molecularly bonded
coating never needs lubrication

High-Impact
Polycarbonate electrical enclosure



Simple-to-Set

Electronic Limit System

Maintains accurate gate position throughout gate travel. Maintains open and close limit position at all times, even after using manual disconnect.

Keyed Manual Disconnect

Provides simple method to manually operate gate

Plug-in Loop Detectors

Easy to install, simple to program.
8 different settings, including boost.
Innovative technology eliminates crosstalk.
Inputs for shadow, interrupt and exit loops.

Fire Department Compliant

Selectable settings allow gate to auto-open upon loss of AC power or battery depletion

Programmable Auxiliary Relays

Save time and money when adding on auxiliary devices.

2 programmable relays with 6 settings each simplify adding additional features.

- Pre-warning or gate in motion sounder
- Switch on/off devices at open or close limits

External Obstruction Sensing

Complies with UL325 standards. Secondary entrapment devices must be added to meet UL325 standards. Installer will recommend suitable secondary entrapment devices such as photo eyes or edge sensors.



Bi-Part Delay

Selectable dual gate operation

Standard Operation – Simultaneously closes gates at the same time.

Synchronized close – Monitors the speed and position of each wing and adjusts the speed as necessary to ensure primary gate closes last, avoiding potential damage to the gate.



Exceptional Standby Time

Our battery backup lasts for 14 days.

10 seconds after the gate closes, all non-essential ancillary devices turn off to conserve power.



True Power Management System

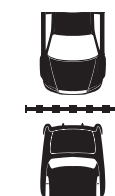
Protects Battery Life. Recovers batteries quicker when discharged and manages the low power threshold. Will not run the batteries beyond the point of failure, ensuring batteries are ready for the next time they are needed.



Solar Ready

Plug in to the power of the sun.

Consult your local dealer for more details.
Home and Property Owners can qualify for a 30% Tax credit.



Advanced Traffic Management Control

Discourages tailgating

Quick Close – Closes the gate immediately after a vehicle pulls off the interrupt loop.

Anti-Tailgate – Prevents unauthorized access. Gate will pause when closing as vehicle pulls onto interrupt loop or breaks photo beam. Once vehicle backs up, gate will continue to close.

MyQ™ Enabled Accessories

LiftMaster's revolutionary MyQ™ technology is designed with simple mobile access control in mind. The new LiftMaster® model LA500 comes with MyQ™ technology built-in. Pair it with our LiftMaster® Internet Gateway accessory to remotely monitor or open or close your gate from anywhere in the world with one click on your Internet-enabled mobile phone or computer.



LiftMaster® Internet Gateway (model 828LM)

LiftMaster's revolutionary new accessory features built-in MyQ™ technology that connects to the Internet and allows you to monitor and control your gate operator from anywhere in the world via your internet-enabled mobile phone or computer.



Garage Door and Gate Monitor (model 829LM)

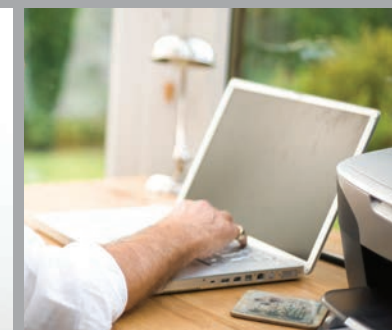
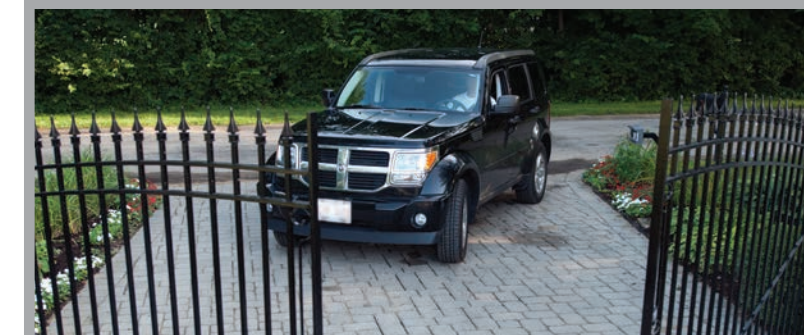
Lets you check and close the gate operator from any room in your house.



Remote Light Control (model 825LM)

Control your house lights and operate any lamp with your remote control or from your Internet-enabled smart phone via your LiftMaster® Internet Gateway

LiftMaster® Internet Gateway Accessory functionality is dependent on communication with MyQ™ enabled gate operator. MyQ™ communication can be limited by distance and type of exterior building materials. A general range estimate is 300 feet.



LiftMaster®