

# Ditec Dod

Modern and refined design  
Simple, fast installation, adaptable to any structure

## Ease of installation

Keyed on driving shaft or featuring pinion and chain transmission, making other moving parts superfluous. Adjustable rotating limit-switch unit complete with 3 limit switches.

Fitting with pinion and crown favours adapting movement speed to one's own needs or installation when side space is restricted.

The Ditec Dod automation is complete with safety accessories and controls in compliance with standards in force.

## Small and compact dimensions: for application even in restricted spaces

Various possible applications:

- longitudinal installation on sectional overhead doors
- installation with pinion and crown on sectional overhead doors
- installation on sliding doors
- installation on sliding doors with chain transfer
- installation on folding doors

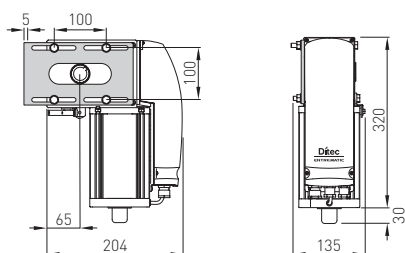
## Product range

Description	Dod 12*	Dod 14*	Dod 15*
Torque	45 Nm	60 Nm	65 Nm
Motor	Single-phase	Single-phase	Three-phase

\* Can be released by rope, manual operation of the wing

## Dimensions

Ditec Dod



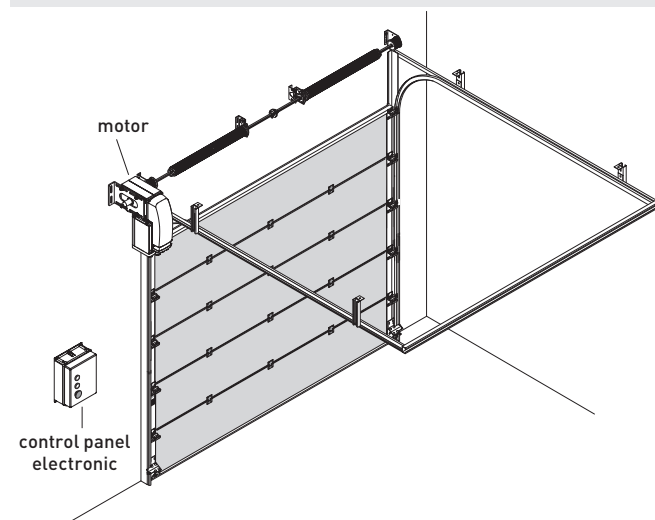
## Specific accessories

- Accessories for axial mounting
- Pinions
- Sleeves
- Chain and crown
- Manual reopening device with rope or handle

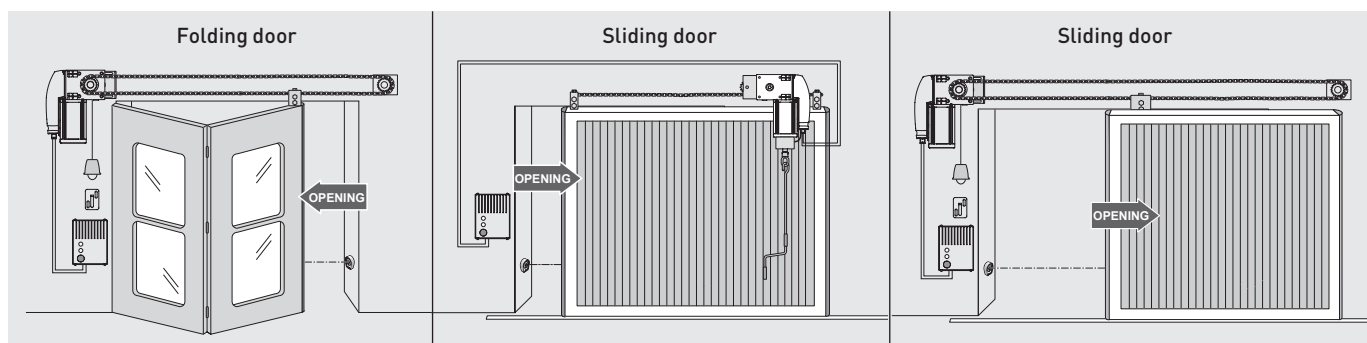


## Installation type

Ditec Dod



## Installation examples



## Technical specifications

Description	Dod 12	Dod 14	Dod 15
Electromechanical actuator	for sectional overhead doors and sliding doors	for sectional overhead doors and sliding doors	for sectional overhead doors and sliding doors
Stroke control	rotary limit switch	rotary limit switch	rotary limit switch
Duty class	4 - heavy duty	4 - heavy duty	4 - heavy duty
Intermittent operation	S2 = 30 min S3 = 50%	S2 = 30 min S3 = 50%	S2 = 30 min S3 = 50%
Power supply	230 V AC / 50 Hz	230 V AC / 50 Hz	400 V AC / 50 Hz
Power input	3 A	3 A	1.2 A
Torque/Thrust	45 Nm	60 Nm	65 Nm
Drive shaft revolutions	32 RPM	22 RPM	32 RPM
Release system for manual opening	rope handle	rope handle	rope handle
Operating temperature	-20°C / +55°C [-35°C / +55°C with NIO enabled]	-20°C / +55°C [-35°C / +55°C with NIO enabled]	-20°C / +55°C
Protection rating	IP 54	IP 54	IP 54
Product dimensions (mm)	135x264x350	135x264x350	135x264x350
Control panel	E1A	E1A	E1T

## System functions

Description	Dod 12 - Dod 14	Dod 15
Control panel	E1A	E1T
Mains power supply	for 1 motor 230 V AC with built-in radio	for 1 three-phase motor 400 V AC
Number of motors	1	1
Motor power supply	230 V AC / 5 A	400 V AC / 6 A
Accessories power supply	24 V DC / 0.5 A	24 V DC / 0.5 A
Flashing light	230 V	24 V
Automation open warning light	from limit switch	from limit switch
Courtesy light	■	
Limit-switch provision	■	■
Force setting	transformer	
ODS - Obstruction Detection System	■	
Time setting	■	
Open control	■ (with dip-switch)	■ (with dip-switch)
Partial opening control	■ (only with radio)	■
Close control	■	■
Temporised automatic closing	■	■
Inching control	■	■
Hold-to-run control	■	■
Emergency stop	■	■
Emergency reverse	■	■
Safety test	■	■
NIO - Antifreeze system	■	
Operating temperature	-20°C / +55°C [-35°C / +55°C with NIO enabled]	-20°C / +55°C
Protection rating	IP 55	IP 55
Product dimensions (mm)	187x261x105	238x357x120