

FUNCTIONAL

External automation by Ditec, quality stands out, automatically.

Great care is required at the design stage of automation used on swing gates, as the gates are exposed to bad weather and are often very frequently used.

In order to offer the best possible solution, when designing the automation system, it is crucial to know exactly how the gate will be used.

Ditec offers a full range of products designed to allow easy installation on gates of any size and to cater for any type of duty.



Ditec Obbi

Safe and functional, for swing gates with doors up to 3 metres
For medium duty

Elegant design

Gates for residential application often require an automation able to ensure long lasting, highly reliable gate operation, as well as to perfectly blend in with the look of the gate. Ditec Obbi's smart yet simple design fully meets these requirements and can also be used with any type of modern or period gates.

Versatile

Its very thin frame blends in exceptionally well with the frame of the gate and ensures easy installation thanks to its special connecting system, which may be fixed without welding, if so required, and to its multi-hole rear bracket **01**, easily adjustable to be located in the most suitable operating position by simply changing the through hole combination.

Simple

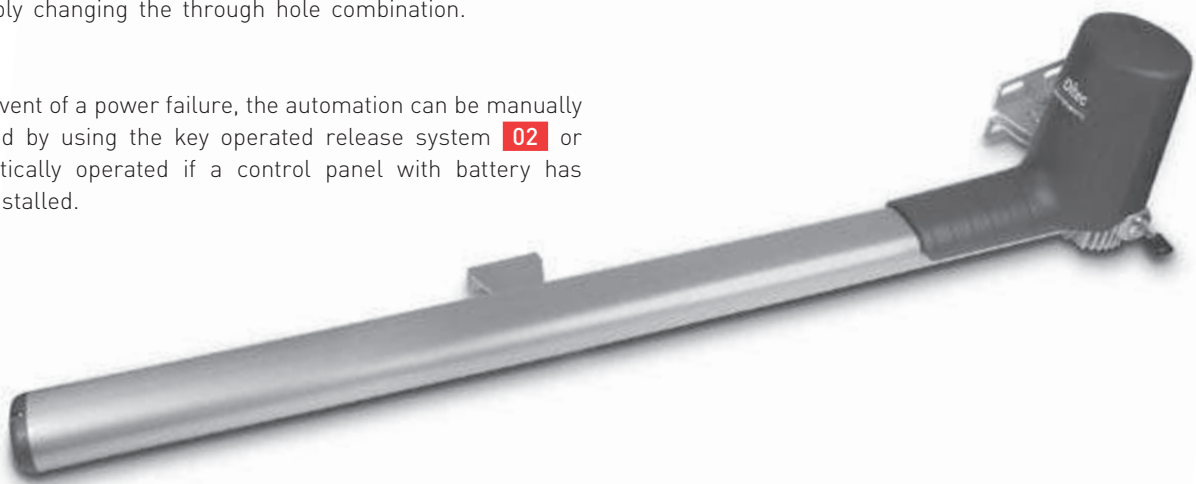
In the event of a power failure, the automation can be manually operated by using the key operated release system **02** or automatically operated if a control panel with battery has been installed.

Distinctive features

- High safety level ensured by the 24 V DC power supply
- Smart yet simple design
- Anodised aluminium shaft cover
- Suitable for any modern or period gate frame
- Can be used to operate gates with small pillars
- Easily accessible key-operated release system
- The following features are available: partial opening, speed setting, soft start and soft stop

Special accessories

- Back-up battery pack to be used in the event of a power failure

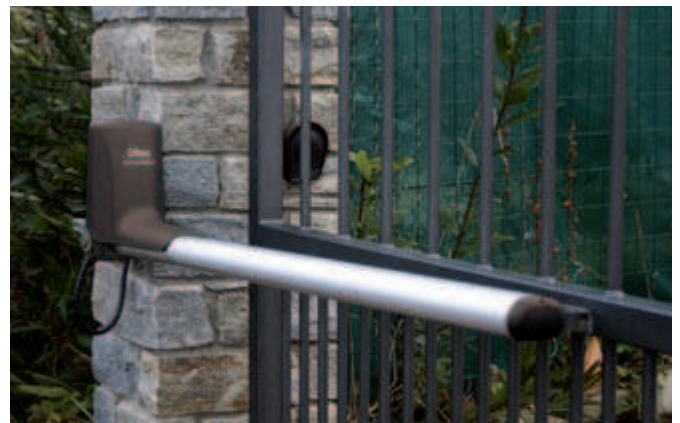
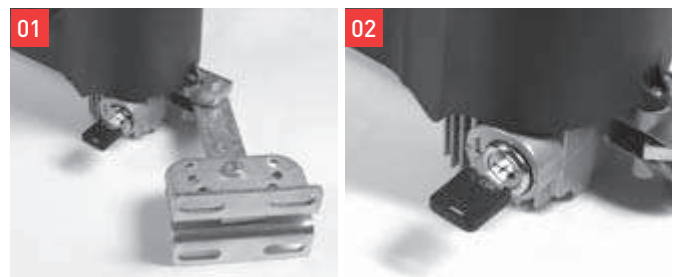
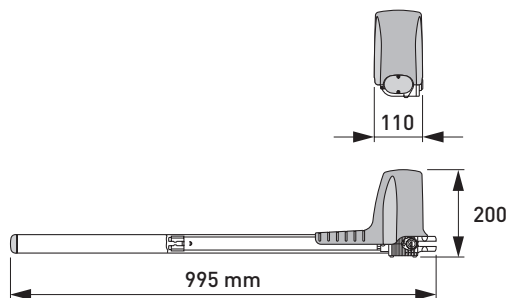


Product range

Medium duty	Wing
Obbi 3BH	up to 3 m

Dimensions

Obbi



Smartly designed, details included

All fixing screws **05** are made of stainless steel to be weatherproof and to preserve the beauty of the whole automation system over time. However, they are intentionally and cleverly hidden by the designer's attention to detail. Sturdy, durable and reliable, it works quietly to be admired and desired **06**.

Distinctive features

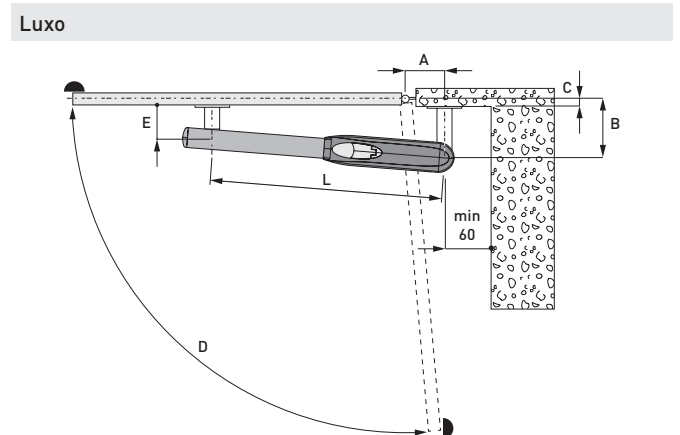
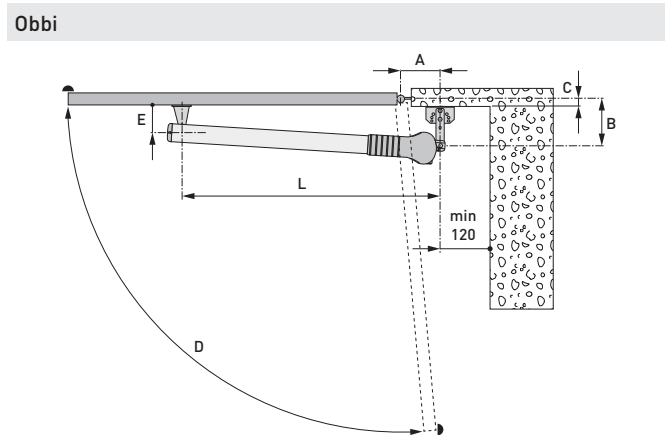
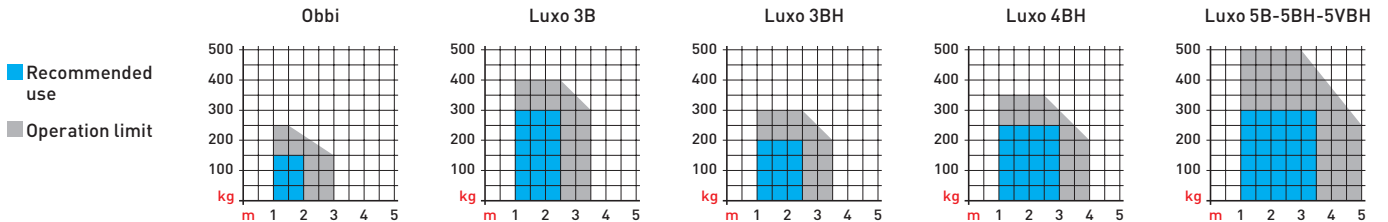
- Irreversible or reversible, customer specified (230 V AC version)
- Version with dustproof brushes and limit switch as standard
- Version with 24 V DC motor, partly open, speed adjustment, soft start and soft stop

Special accessories

- Limit switch unit
- Back-up battery pack to be used in the event of a power failure



Operation diagrams and charts



A	B	C max (90°)	D max	E	L
150	150	85	100°	75	910
120	160	95	100°	75	910
120	180	115	100°	75	910
160	120	55	110°	75	910

(*) Use measurements between minimum and maximum								
	A*	B*	A	B	C	D	E	L
Luxo 3B Luxo 3BH	min 105 max 130	min 120 max 170	130	170	100	90°	90	760
			105	140	70	90°		
			130	130	60	95°		
Luxo 4BH Luxo 5B Luxo 5BH Luxo 5VBH	min 130 max 200	min 170 max 290	170	170	100	90°	120	910
			200	200	130	95°		
			200	170	100	120°		
			130	290	220	90°		