

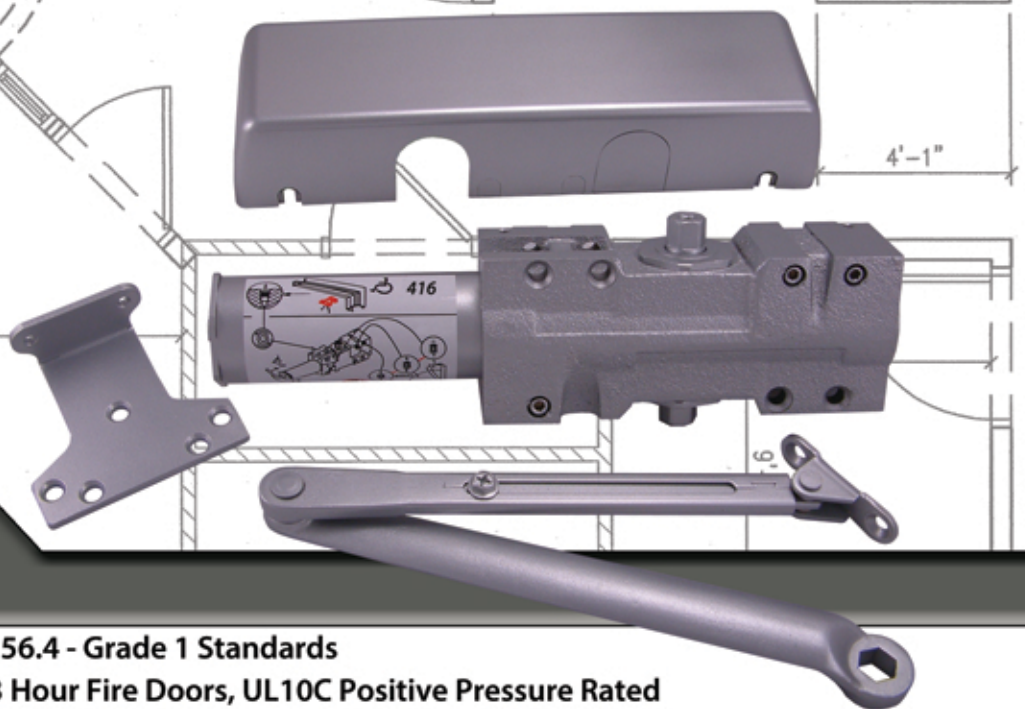
416 Series

Heavy Duty Door Closer



16'-5"

1'-11"



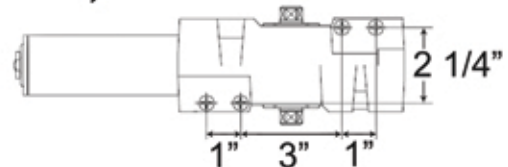
Specifications

- ANSI:** Meets ANSI A156.4 - Grade 1 Standards
- UL Listings:** For "A" Label 3 Hour Fire Doors, UL10C Positive Pressure Rated
- ADA Compliance:** Meets ADA requirements ANSI A117.1
- Closer Body:** Heavy Duty Cast Iron Closer Body with Precision Rack & Pinion Construction
- Piston & Spindle:** Heat Treated Steel Piston & Spindle with Needle Bearings for Smooth Operation
- Springs:** Heat Treated Heavy Duty Tempered Spring for up to 250lb door
- Spring Sizing:** Adjustable size 1 to 6 - Factory set at size 3
- Speed Controls:** Independent Latch & Sweep Speed Controls
- Back Check:** Adjustable Back Check Intensity Control Valve
- Valves:** Staked Valves to prevent backing valves out too far
- Standard Cover:** Molded Plastic Cover included for finished look
- Optional Cover:** US26D Metal Cover available separately
- CTC Hole Pattern:** 2 holes 1" CTC, 3" CTC horizontal x 2 1/4" CTC vertical
- Projection:** 2 1/4" projection with cover installed
- Minimum Top Rail:** Regular: 3 3/4" - Top Jamb: 1 1/4" - Parallel Arm: 5 3/8"
- Fasteners:** Thru bolts & machine screws, wood screws & self tapping machine screws included
- Mounting Styles:** Includes all screws and brackets for Regular, Top Jamb and Parallel Arm Installations
- Accessories:** Hold Open Arms, Heavy Duty Arms, Drop Plates, Extended Arms & more...
- Warranty:** Limited lifetime warranty



| DH # | US # | BHMA # | Finish Description |
|-------|------|--------|------------------------|
| AL | ALUM | 689 | Aluminum Painted |
| BZ | DURO | 690 | Dark Bronze Painted |
| GLD | GOLD | 696 | Gold Painted |
| *US3 | US3 | 632 | Plated Polished Brass |
| *US26 | US26 | 651 | Plated Polished Chrome |

* = Available only with conversions kits



PH 877-258-1262 FX 877-888-0150
www.designhardware.net