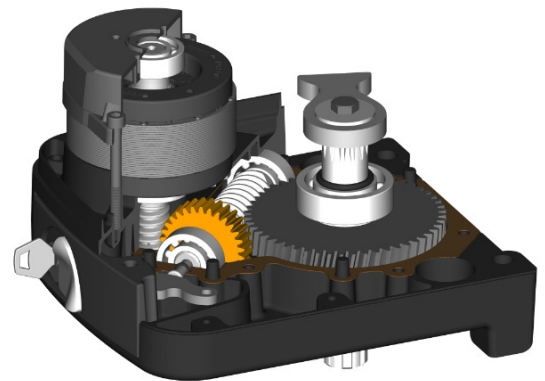




IRREVERSIBLE ELECTROMECHANICAL MOTOR WITH ARTICULATED ARMS FOR SWING GATES UP TO 2,8 MT WIDE.

Electromechanical articulated motor BRUSHLESS, low voltage, super intensive use, with native encoder onboard, irreversible ideal for swing gates with leaf up to 2.8 meters of length. with mechanical stopper in opening and closing and with standard version of short arms.

TECHNICAL IMAGE



Code	Description	Pcs/pallet
BH23/282	Electromechanical articulated motor BRUSHLESS, low voltage, super intensive use, with native encoder onboard, irreversible ideal for swing gates with leaf up to 2.8 meters of length. with mechanical stopper in opening and closing and with standard version of short arms.	44

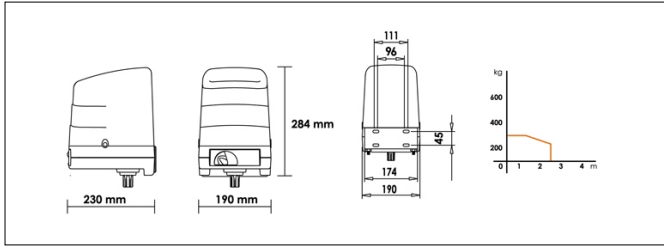
Product technical specifications	BH23/282
Number items per pallet	44
Power	24V
Power rating	160W
Max thrust	50-280 N
Frequency of use	Intensive use
Operating temperature	-20+55° C
Protection level	IP 43
Opening time at 90°	12-20 s
Maximum dimension product in mm	H230xW190xL284
Operating cycles per day (opening/closing - 24 hours no stop)	1900 cycles
Limit switch	Mechanical stopper in opening and closing
Always included in the individual product package or kit:	Plate for fixing to post (KT209), gate pull bracket (KT218), arms short for articulated motor (LT302).
Reductor Type	Irreversible

PACKAGING INFORMATION

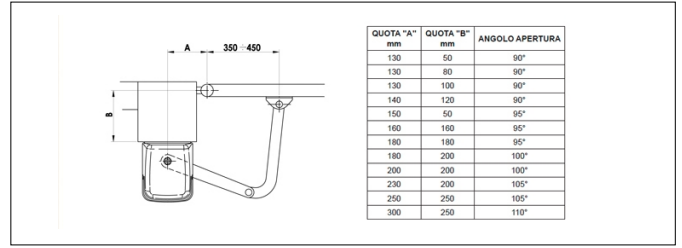


Size in cm: Length: 35 - Width: 23 - Height: 35.5

PRODUCT DIMENSIONS AND PREPARING FOR INSTALLATION



DIMENSIONS



PREDISPOSIZIONE PER L'INSTALLAZIONE STANDARD

PRODUCT ACCESSORIES



R99/C/001
Signboard
Automatic Opening".