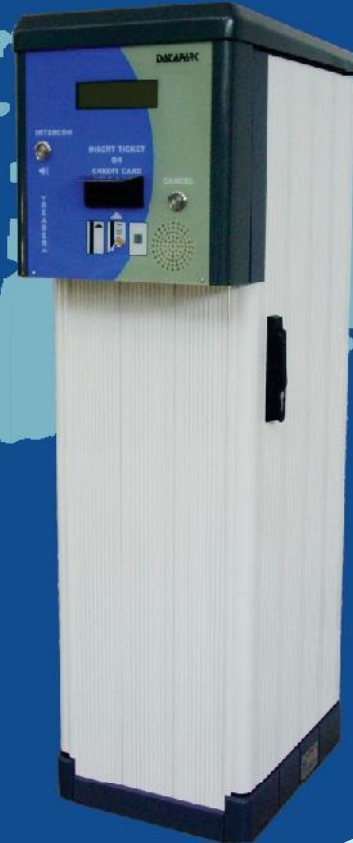


DP5900-6 Entry Station



AMOUNT:\$120.30
CHARGE:\$12.50

TIME: 33HRS 30M
CHARGE:\$10.20

CARD VALUE LOW
PAY CASHIER

TOTAL USAGE 62
09/21/94 18:24

PASSBACK ERROR
CARD: 12000

TIME: 13:59
LOW TICKETS

TIME: 13:59
OUT OF SERVICE

TIME: 13:59
NO CAR PRESENCE

CONTRACT PAYMENTS
ARE DUE TODAY



DP5900-6 Entry Station is designed for multiple use at unattended entrances of a parking facility with optimum performance. All types of ticket technology usage can be processed through the DataPark DP5900-6.

DP5900-6 ENTRY STATION - CC/I/BAR/RP/SI/SO/D/DC/PRS/PRM/X/220V

SPECIFICATIONS

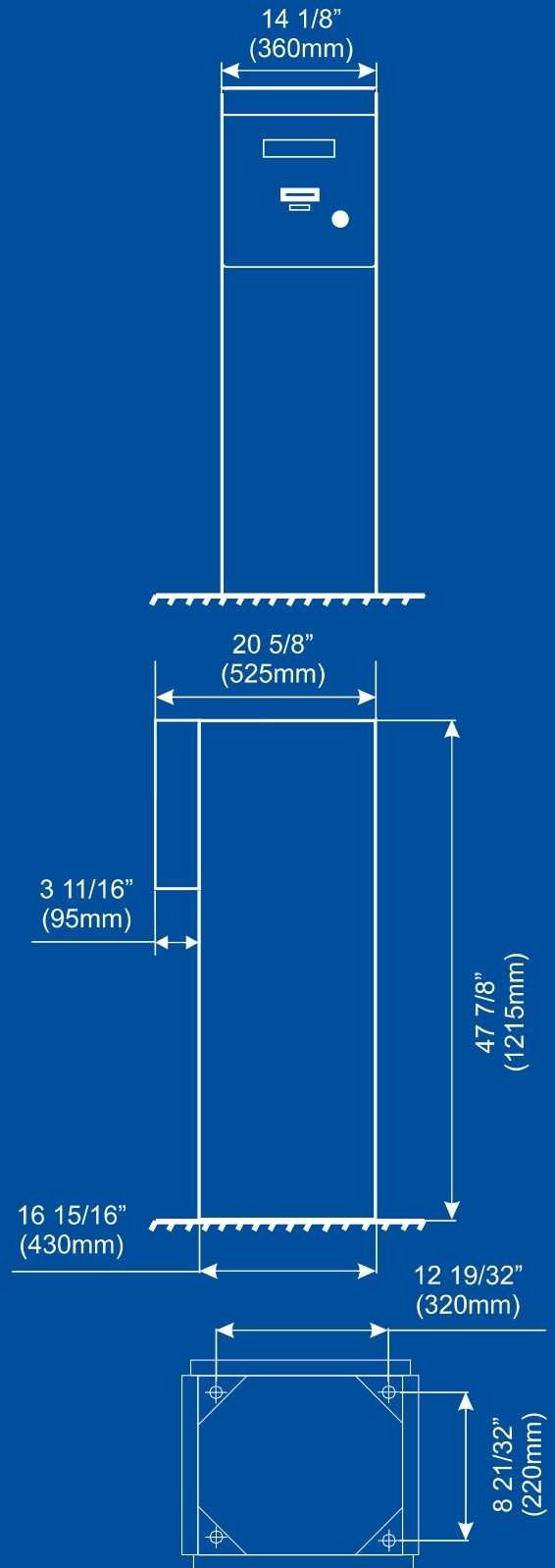
- ETL Listing
- Housing & Finish:
Aluminum construction
Standard White finish
- Electrical: 115/230 V 50/60 Hz
- Mechanical:
9 pin dot matrix printer, cartridge ribbon,
self-sharpening cutter,
- Bi-directional automatic transport.
- Dimensions:
14 1/8" (360 mm) W
47 7/8" (1215 mm) H
16 15/16" (430 mm) D
- Environment:
-4F (-20°C) to 131F (55°C)

FEATURES

- Online System - RS232, RS485 and TCP/IP communication
- Complete Stand-alone
- Programmable graphic LCD display
- Tickets printed with 5 digit consecutive number, lane, rate, year, month, date, military hours and minutes
- Voiding of tickets
- Push button or Automatic Issuing of tickets
- Lot Full control
- Monthly cards
- Features soft/hard/no passback
- 256 Access Levels
- 64 Time Zones
- Bi-directional transport mechanism
With ticket retractor
- Bi-directional loop logic
- Ticket collection box
- Pre-payment mode for Events and Conventions
- Programmable Rates

OPTIONS

- CC - Credit Cards
- I - Intercom
- BARMH - Barcode for Maghead
- BAROEM - OEM Barcode scanner
- RP - Additional Thermo Receipt Printer
- SI - Inside MATRIX SIGN
- SO - Outside LED SIGN
- D - Dual Ticket feed
- DC - Debit Cards
- PRS - Prox Reader Standart
- PRM - Prox Reader Max.
- X - Housing Color
- MI - Multiple ticket issue
- BI - Barcode ticket issue
- 220V - 120V
- Programmable voice announcement with intercom
- Reading specific tickets/cards of different formats
- Multi-language programmable messages
- Valet Parking/Operator interface/Badge reader
- Hotel room key card interface
- Two-way magnetic stripe ticket and card reading
- Hand Held Programmer



Edition .05.2012

DataPark, Inc.

1631 Neptune Drive San Leandro, CA 94577
Tel: (510) 483-PARK Fax: (510) 352-5305
E-mail: datapark@dataparkgroup.com

East Coast Office:

Tel: (301)390-9492 Fax: (301) 390-5649
E-mail: eastoffice@dataparkgroup.com

www.dataparkinc.com

Pacific Rim Office:

Tel: (03) 9-348-0688 Fax: (03) 9-348-0923
E-mail: australia@dataparkgroup.com

Europe Office:

Tel: (359) 82-821-505 Fax: (359) 82-821-504
E-mail: dsh@dataparkinc.com

DISTRIBUTOR: