

DP 7001 Pay Station



The sophisticated DP7001 Pay Station provides reliable revenue control. Processes all monthly cards, transient tickets and re-charges Debit cards. Accepts payment by Notes, Coins, Debit and CREDIT card. Dispense change in notes and coins. The DP7001 can be used as a ticket issue machine, pre-pay entry machine, central pay and pay-at-exit machine.

DP7001 PAY STATION - CH5/CH6/BA/JP/BARMH/BAROEM/I/PP/LT

SPECIFICATIONS

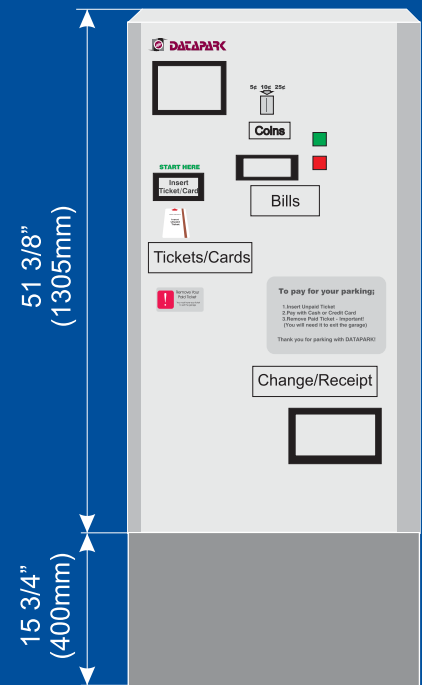
- Housing:
Aluminum construction
Standard White
- Electrical:
115/230 V 50/60 Hz
- Environment:
-4F (-20°C) to 131F (55°C)

FEATURES

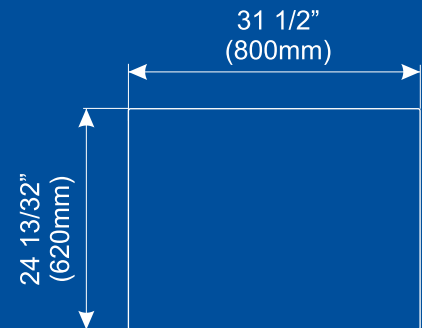
- Online System - RS232, RS485 and TCP/IP communication
- Pedestrian operation
- Pay and display, pay on exit, entry or central pay operation
- Accepts Discount/Store Validations
- Management and revenue reports
- Programmable Messages
- Backup battery
- Grace period
- Day/Evening/Night/Early Bird rates
- Rate switchable on daily or hourly basis
- Daily maximum (card, absolute time)
- Weekly maximum
- Discount by time, amount and %
- Cancel/Receipt button
- Sales tax computation
- Accepts up to seven denominations of notes
- Issues up to three denominations of notes
- Accepts up to six denominations of coins
- Recycles and issues for change up to three denominations of coins
- 6.4 in. LCD Display
- Receipt Printer
- Voice announcement to assist operation
- Programmable rates

OPTIONS

- CH4 - Additional Coin Hopper
- CH5 - 2 Additional Coin Hoppers
- JP - Journal Printer
- BARMH - Bar Code For Maghead
- BAROEM - OEM Bar Code Reader
- I - Intercom
- PP - Prepay
- LT - Lost Ticket
- PRS - Prox Reader Standart
- FP - Front Pannel Overlay
- DC - Debit Cards
- CC - Credit Cards
- BD - Bill Dispenser
- Re-charges Value Debit cards(collect parking fees in advance)
- Accepts payment of monthly accounts
- Discount the standard charge or charges a different rate by accepting a special encoded card
- Management Reports Centralized On-line Host Computer
- Selectable fee button
- Selectable language button
- Journal Printer



Elevation



Plan View

DataPark, Inc.

1631 Neptune Drive San Leandro, CA 94577
Tel: (510) 483-PARK Fax: (510) 352-5305
E-mail: datapark@dataparkgroup.com

East Coast Office:

Tel: (301)390-9492 Fax: (301) 390-5649
E-mail: eastoffice@dataparkgroup.com

www.dataparkinc.com

Pacific Rim Office:

Tel: (03) 9-348-0688 Fax: (03) 9-348-0923
E-mail: australia@dataparkgroup.com

Europe Office:

Tel: (359) 82-821-505 Fax: (359) 82-821-504
E-mail: dsh@dataparkinc.com

DISTRIBUTOR: