



IS158 Rev.03 12/07/2018

FIFTHY

lampeggiante LED

Istruzioni originali

ROGER
BRUSHLESS

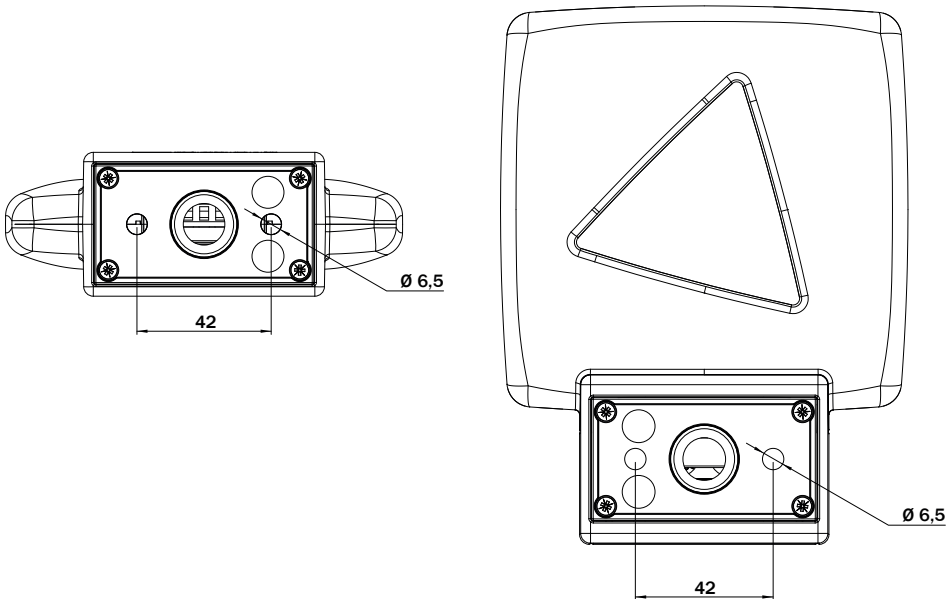
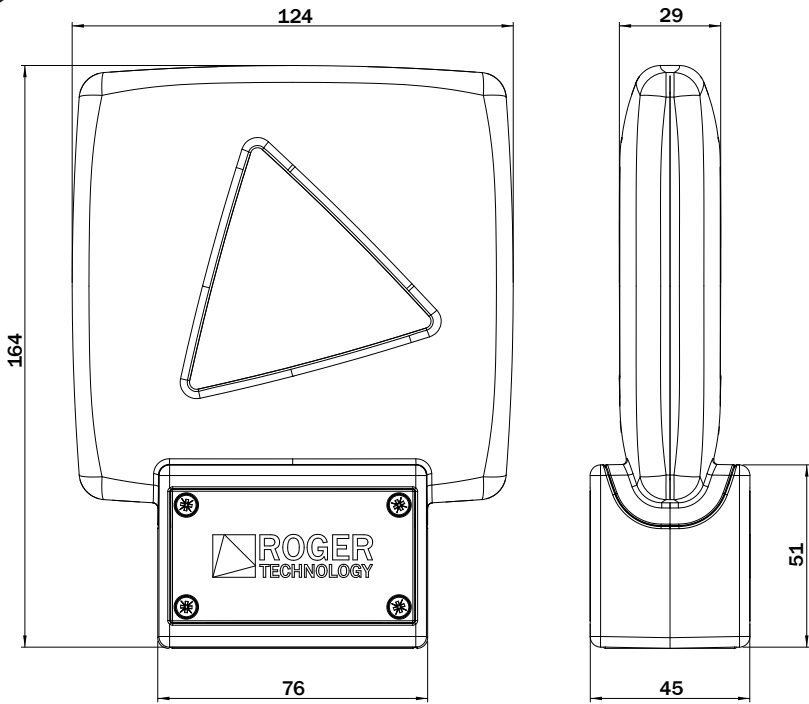


- IT - Istruzioni ed avvertenze per l'installatore - pag. 8
- EN - Instructions and warnings for the installer - pag. 9
- DE - Anweisungen und Hinweise für den Installateur - S. 10
- FR - Instructions et consignes pour l'installateur - p. 11
- ES - Instrucciones y advertencias para el instalador - pág. 12
- PT - Instruções e advertências para o instalador - pág. 13
- NLD - Aanwijzingen en waarschuwingen voor de installateur - pag. 14
- PL - Instrukcja i ostrzeżenia dla instalatora - pag. 15

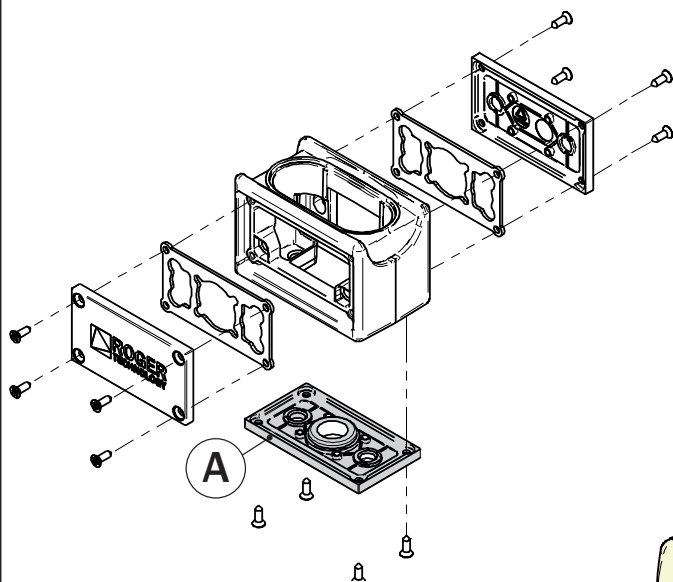
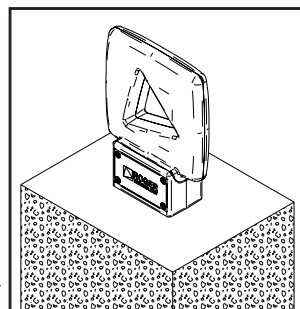
ROGER[®]
TECHNOLOGY

IT	1	Avvertenze generali	8	ES	1	Advertencias generales	12
	2	Descrizione prodotto	8		2	Descripción del producto	12
	3	Caratteristiche tecniche	8		3	Características técnicas del producto	12
	4	Installazione	8		4	Instalación	12
	5	Funzionamento	8		5	Funcionamiento	12
	6	Smaltimento	8		6	Eliminación	12
	7	Informazioni aggiuntive e contatti	8		7	Información adicional y contactos	12
	8	Dichiarazione di Conformità	8		8	Declaración de Conformidad	12
EN	1	General safety precautions	9	PT	1	Advertências gerais	13
	2	Product description	9		2	Descrição do produto	13
	3	Technical characteristics	9		3	Características Técnicas	13
	4	Installation	9		4	Instalação	13
	5	Operation	9		5	Funcionamento	13
	6	Disposal	9		6	Descarte	13
	7	Additional information and contact details	9		7	Informações adicionais e contatos	13
	8	Declaration of Conformity	9		8	Declaração de conformidade	13
DE	1	Allgemeine Sicherheitshinweise	10	NLD	1	Algemene waarschuwingen	14
	2	Produktbeschreibung	10		2	Beschrijving product	14
	3	Technische Daten	10		3	Technische kenmerken	14
	4	Installation	10		4	Installatie	14
	5	Betriebsweise	10		5	Werking	14
	6	Entsorgung	10		6	Inzameling	14
	7	Zusätzliche Informationen und Kontakte	10		7	Bijkomende informatie en contact	14
	8	Konformitätserklärung	10		8	Verklaring van Overeenstemming	14
FR	1	Consignes générales de sécurité	11	PL	1	Ostrzeżenia ogólne	15
	2	Description produit	11		2	Opis urządzenia	15
	3	Caractéristiques techniques	11		3	Charakterystyki techniczne	15
	4	Installation	11		4	Instalacja	15
	5	Fonctionnement	11		5	Działanie	15
	6	Élimination	11		6	Utylizacja	15
	7	Informations complémentaires et contacts	11		7	Informacje dodatkowe i dane kontaktowe	15
	8	Déclaration de conformité	11		8	Deklaracja zgodności	15

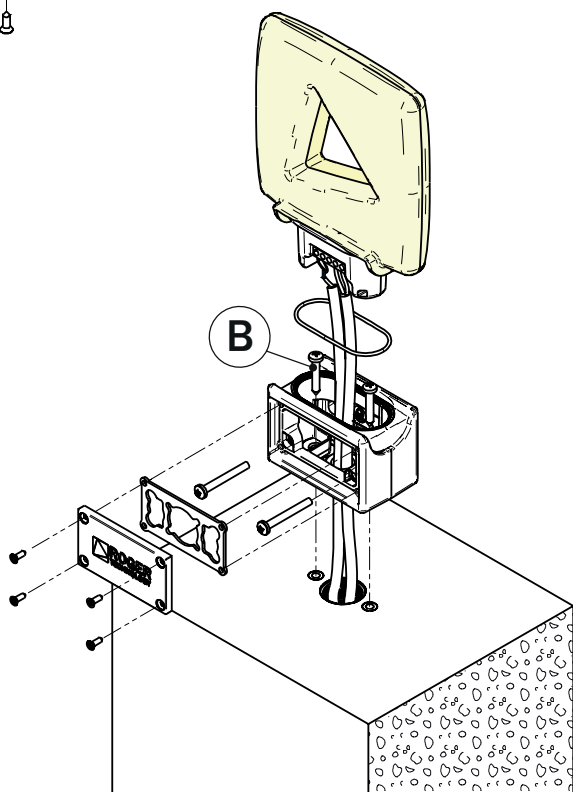
1



2

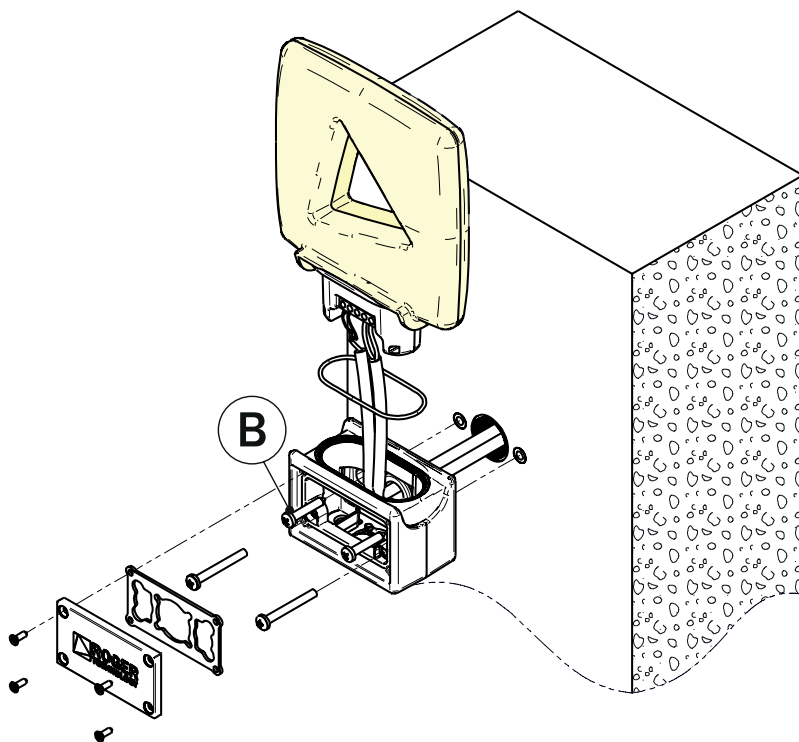
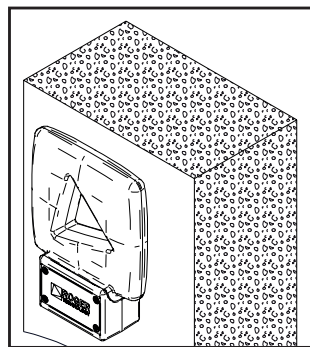
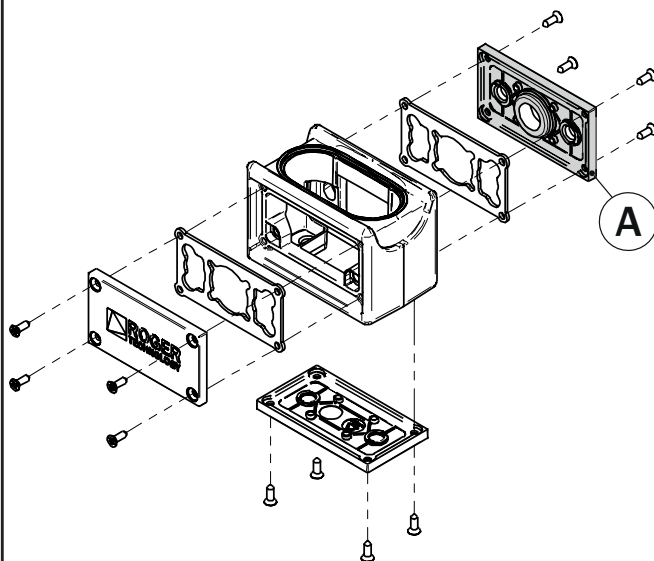


A

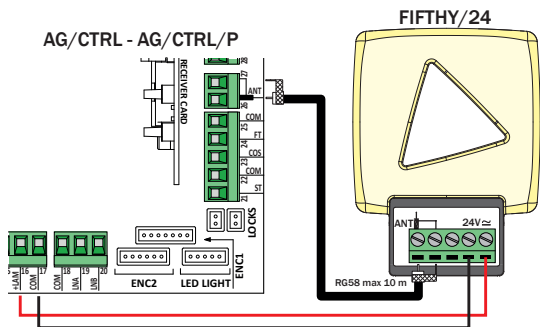
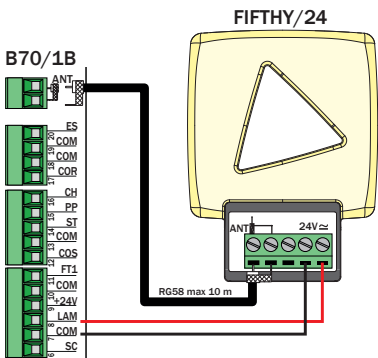
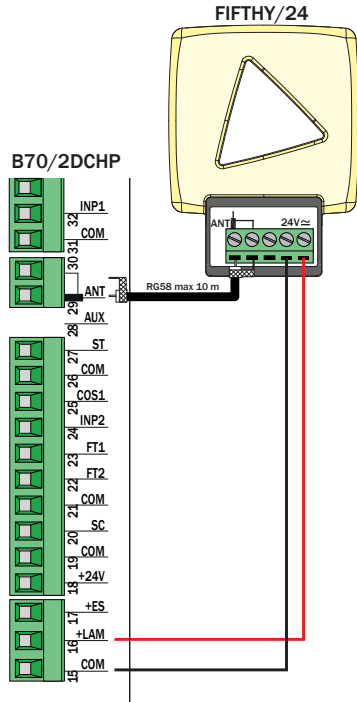
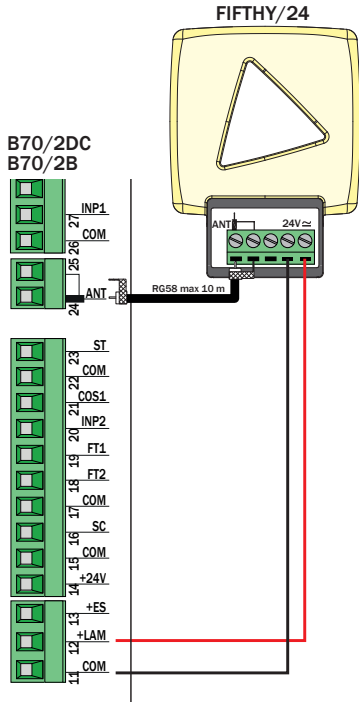


B

3



6



1 General safety precautions



Warning: incorrect installation may cause severe damage or injury. Read the instructions carefully before installing the product.

This installation manual is intended for qualified personnel only.

ROGER TECHNOLOGY cannot be held responsible for any damage or injury due to improper use or any use other than the intended usage indicated in this manual.

Installation, electrical connections and adjustments must be performed by qualified personnel, in accordance with best practices and in compliance with applicable regulations. Before installing the product, make sure it is in perfect condition.



Disconnect the mains electrical power before performing any work. Also disconnect any buffer batteries used.

Only use original spare parts when repairing or replacing products. The packaging materials (plastic, polystyrene, etc.) should not be discarded in the environment or left within reach of children, as they are a potential source of danger.

2 Product description

FIFTHY is a flashing warning lamp unit connectable to ROGER TECHNOLOGY control units.

3 Technical characteristics

	FIFTHY/24	FIFTHY/230
MAINS POWER VOLTAGE	24 Vac/dc	230 Vac 115 Vac
MAX MAINS POWER ABSORPTION	6,5 W	4 W
OPERATING TEMPERATURE	 -20°C	 +55°C
DEGREE OF PROTECTION	IP55	IP55

N.B.: the FIFTHY flashing lamp unit is assembled with thermosonic bonding technology to ensure an extremely high protection rating.

In the event of breakage or malfunction, do not attempt to repair the flashing lamp unit and contact the customer support service or your dealer of choice.

4 Installation

- Ensure that the surface to which the FIFTHY flashing lamp unit is to be installed is level, clean and not subject to vibration.
- Choose the mounting position: Figure 2 - top mounting position; Figure 3 - lateral mounting position.
- Drill the mounting surface with a maximum bit size of 6 mm.
- Assemble the flashing lamp unit with the cable housing base (A) at the bottom, as shown in fig. 2, or facing the wall, as shown in fig. 3.
- Ensure that the cable passage and the mounting base are sealed correctly if the mounting surface is not perfectly even.
- Make the electrical connections as shown in fig.4 (FIFTHY/230V) or fig. 5-6 (FIFTHY/24V).
- If the 230 V version is used, protect the device with a delayed action T500 mA fuse.
- Fasten the flashing lamp unit with the screws (B) and commercially available anchor plugs (not included).

5 Operation

Turn on the power supply.

Select the required flashing mode with the parameter 7B on the control unit (except for H70/10CC - 11CC). This parameter is set as 7B 00 by default (flash frequency 1 Hz, 0.5 s on, 0.5 s off).

If required, set the pre-manoeuvre warning flash function with parameter A5 (except for H70/10CC - 11CC).

6 Disposal



The product may only be uninstalled by qualified technical personnel, following suitable procedures for removing the product correctly and safely. This product consists of numerous different materials.

Some of these materials may be recycled, while others must be disposed of correctly at the specific recycling or waste management facilities indicated by local legislation applicable for this category of product. Do not dispose of this product as domestic refuse. Observe local legislation for differentiated refuse collection, or hand the product over to the vendor when purchasing an equivalent new product. Local legislation may envisage severe fines for the incorrect disposal of this product.

Warning! Some parts of this product may contain substances that are harmful to the environment or dangerous and which may cause damage to the environment or health risks if disposed of incorrectly.

7 Additional information and contact details

ROGER TECHNOLOGY is the exclusive proprietor holder of all rights regarding this publication. ROGER TECHNOLOGY reserves the right to implement any modifications without prior notification. Copying, scanning or any alterations to this document are prohibited without express prior authorisation from by ROGER TECHNOLOGY.

ROGER TECHNOLOGY CUSTOMER SERVICE:

business hours: Monday to Friday
08:00 to 12:00 - 13:30 to 17:30

Telephone no: +39 041 5937023

E-mail: service@rogertechnology.it

Skype: service_rogertechnology

8 Declaration of Conformity

I the undersigned, as acting legal representative of the manufacturer

Roger Technology - Via Botticelli 8, 31021 Bonisiolo di Mogliano V.to (TV)

hereby DECLARE that the appliance described below:

Description: Flashing light

Model: FIFTHY

Is conformant with the legal requisites of the following directives:

- 2014/30/EU; - 2014/35/EU; - 2011/65/CE

and that all the standards and/or technical requirements indicated as follows have been applied:

EN 61000-6-3; EN 61000-6-2

Last two figures of year in which marking was applied CE 16.

Place: Mogliano V.to

Date: 20/12/2016

Signature