

ELECTRIC LOCKS WITH ROTATING DEADBOLT

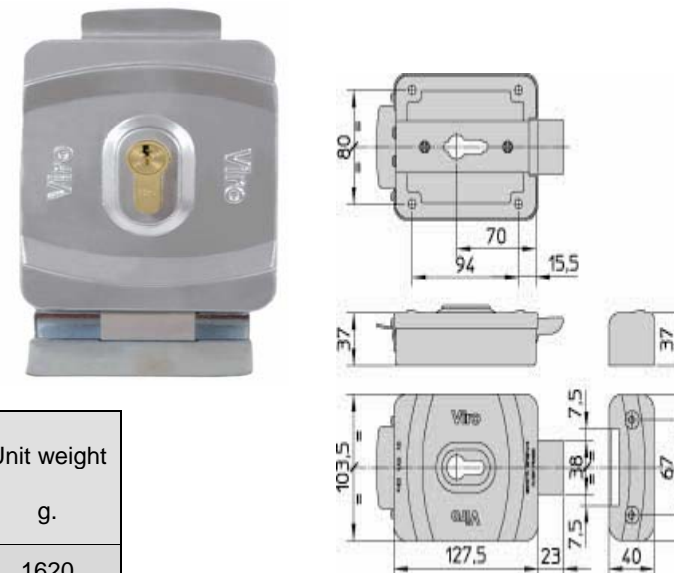
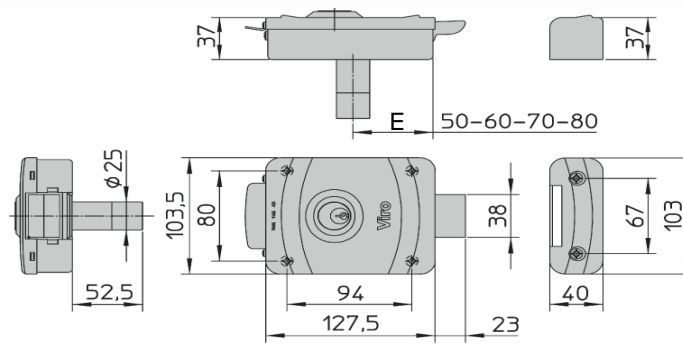
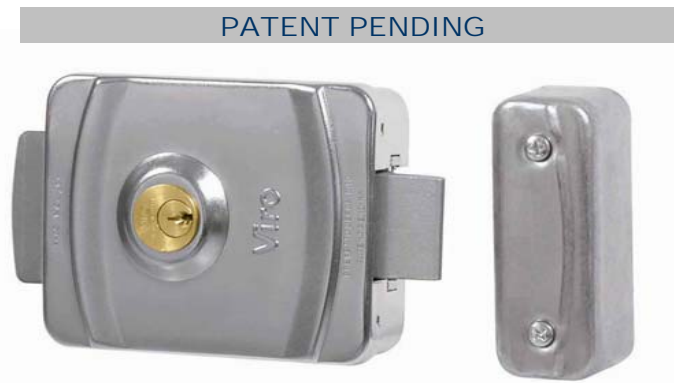


GENERAL STRUCTURAL FEATURES

- **Installation** on doors and automatic or manual gates
It can be installed either horizontally or vertically.
- **Power supply:** standard 12V C.A. (on request: 12V C.C. , 24V C.A. or C.C.).
- **Zinc plated case, top and striker** corrosion and oxidation proof.
- **Cylinder:**
 - round, fix, standard, in brass (V9083) supplied with 3 nickel plated brass keys (item 015).
 - European profile, non standard; ring nut in nylon (V9083-V06-V90 external opening).
- **Rotating deadbolt.**

“V9083” WITH SERVICE AND SECURITY FUNCTION ADJUSTABLE BACKSET 50- 60- 70- 80 MM.

- **Single version**
- Interchangeable with the V90 (series 7920) and V83 (series 7910) electric locks.
- **The V9083 is supplied with the service function:** the lock opens with the electric impulse and only resets once the gate has been opened and then closed. It is therefore suitable for use with doorclosers and/or automation systems.
- **By simply removing an internal component, the V9083 acquires the security function.** The lock opens only when electric impulse and manual or automatic pressure are applied simultaneously. It is therefore not suitable for use with a doorcloser.
- It can be opened with a key from the outside, and with a key or electric impulse from the inside.
- **AISI 304 inox stainless steel high resistance and double tightness deadbolt.** The clearance between the deadbolt and the striker (+/- 7,5 mm) guarantees that the lock will work even if there is vertical adjustment between the lock and the striker (a common occurrence due to weather changes).
- Suitable for lightweight gates without ledge too, as the deadbolt get perfectly blocked at the end of the key rotation.
- Supplied with plate to be placed under the striker for further differences between the jamb and the gate.



SUPPLIED WITH : - Striker for horizontal installation
Item 9083.117
For vertical installation, ask for the floor striker.
Item 9986 instead of the standard striker.

ON REQUEST : - For horizontal installation:
Galvanised steel roof-plate and stiker plate. **Item 9990**
- For vertical installation:
Galvanised steel roof-plate and stiker plate. **Item 9989**

Item. N.	Adjustable backset mm. E	Internal Cylinder (fixed) Item. N.	External Cylinder (fixed) Item. N.	Unit weight g.
9083	50-60-70-80	791	794	1620
9087	70	-	-	1450

ELECTRIC LOCKS WITH ROTATING DEADBOLT



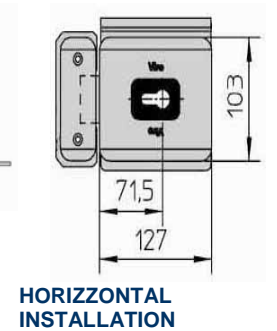
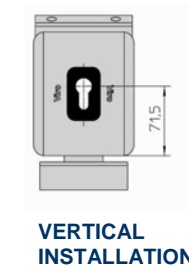
“V90” WITH SERVICE FUNCTION

- **Single Version.**
- **The V90 has a service function:** the lock opens with the electric impulse and only resets once the gate has been opened and then closed. It is therefore suitable for use with doorclosers and/or automation systems.
- Suitable for European profile double or half cylinders (not supplied with the lock).

SUPPLIED WITH: - For Horizontal installation:
Galvanized roof-plate **Item 9990**
Striker **Item 7928.117**
Stiker Plate **Item 2.0.7928.219.00.000**
- For vertical installation:
Galvanized roof-plate **Item 9989**
Floor striker **Item 9986**

V90 FOR OPENING OUTWARDS AND EUROPEAN PROFILE CYLINDERS

	ITEM No.	Unit Weight g
For HORIZONTAL installation	7928	2350
For VERTICAL installation	7928.404	2255



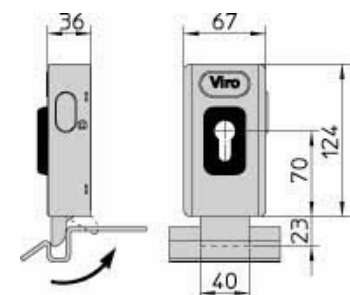
UNIVERSAL “V06” ELECTRIC LOCK WITH ROTATING DEADBOLT, WITH SERVICE AND SECURITY FUNCTION SUITABLE FOR ALL TYPES OF INSTALLATION

- Suitable for inside or outside manual or automatic doors and pedestrian or drive-through gates.
- **Double function:** - **service** (the lock opens with the electric impulse and only resets once the door/gate has been opened and closed. - **security** (the lock opens only when electric impulse and manual or automatic pressure are applied simultaneously).
- Supplied with: galvanised steel floor stiker (item 9986), nylon ring nut and plug passivated steel support for profile cylinder and fixed screws.
- On request:

for vertical installation:
galvanised steel roof-plate (item 9989);
for horizontal installation:
galvanised steel roof-plate with stiker plate (item 9990).



	ITEM. N.	Unit weight g.
With floor stiker	1.7918	1285



58030150205015 - 11/2008