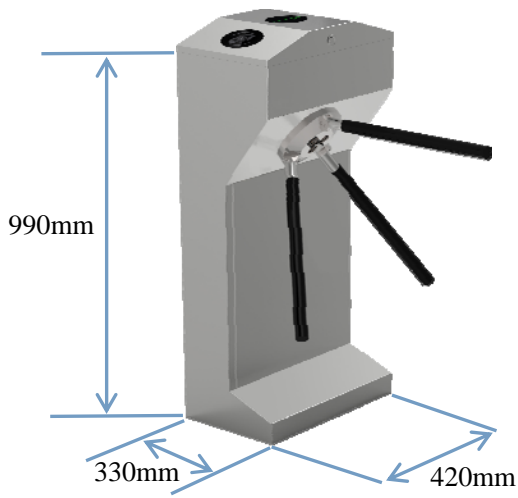
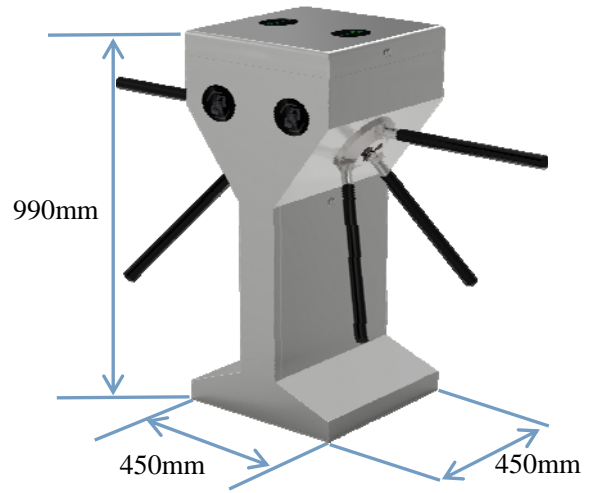


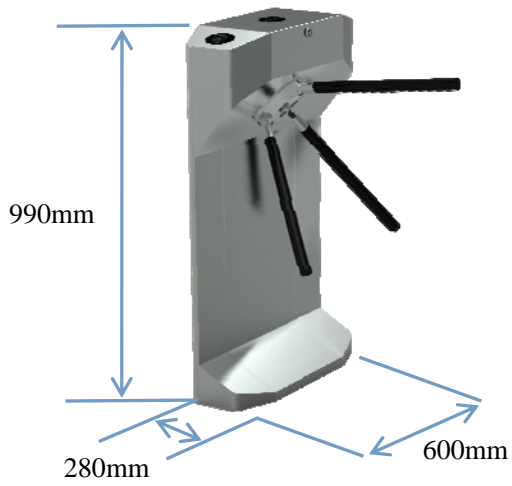
5. Equipment Size and Installation



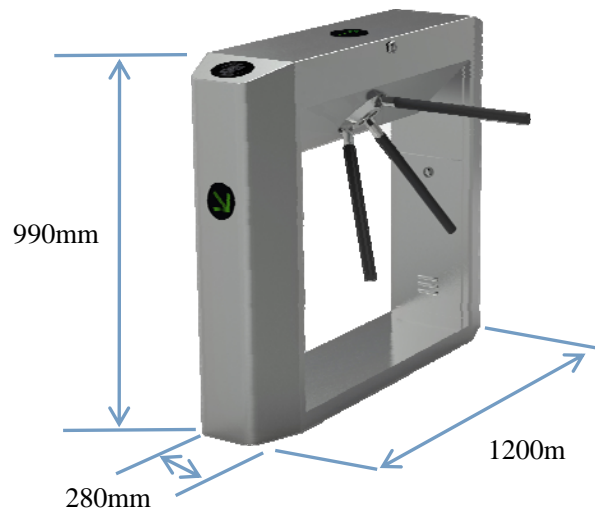
ASP-T045L



ASP-T045L2



ASP-T060L



ASP-T120L